

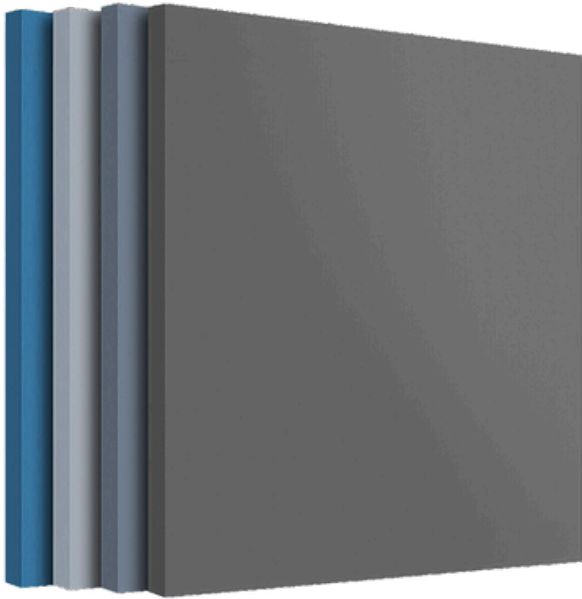


# SoftTone eco

ECO-FRIENDLY ACOUSTIC PANELS

**canacoustics**

[www.canacoustics.com/softtone](http://www.canacoustics.com/softtone)



# Specifications

- Biosoluble glass mineral wool core with ECOSE® technology
- Thickness: 1" (25mm) / 2" (50mm)
- NRC: 0.80 - 1.00
- Application: walls & ceilings
- Finishes: 100% polyester acoustic fabric
- Made with up to 70% post consumer recycled materials\*
- Recyclable and refurbishable
- Hardened edges
- Square or beveled edges
- Standard shapes/sizes
- Fire rating: Class 1 (CAN UL S.102)
- Flame: 5 Smoke: 25

**SoftTone Eco** acoustic panels are the perfect solution for architects and designers who prioritize green building practices. Made from eco-friendly materials, these panels offer superior sound control without compromising on sustainability. Perfect for architects who prioritize green building practices, SoftTone Eco combines functionality with environmental responsibility, creating a harmonious blend of style and performance.



Class 1 Fire rated product  
CAN UL S-102



Made with up to 70% recycled content and is recyclable. 100% recyclable packaging

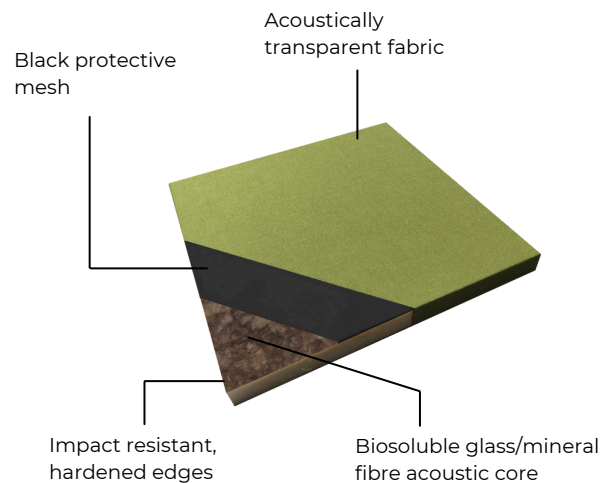
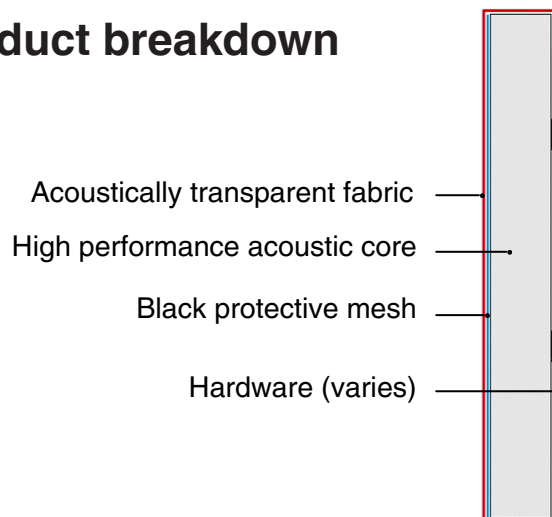


Acoustical performance  
NRC: 0.85 - 1.00



Refurbishable  
Can be given a new life

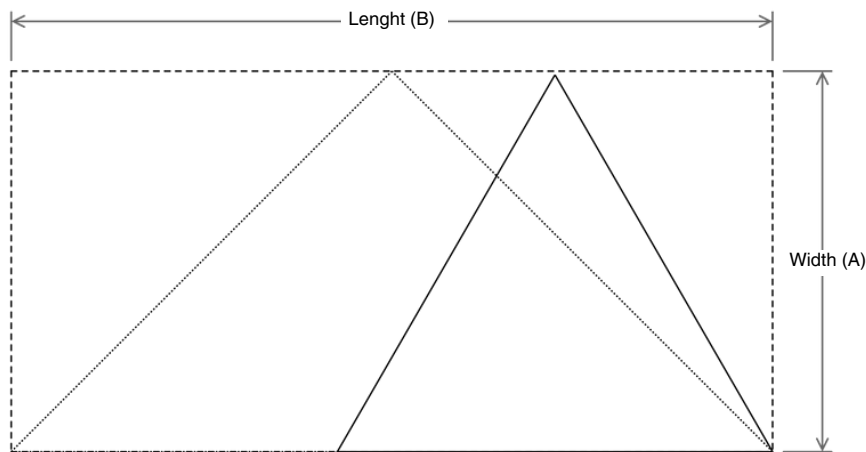
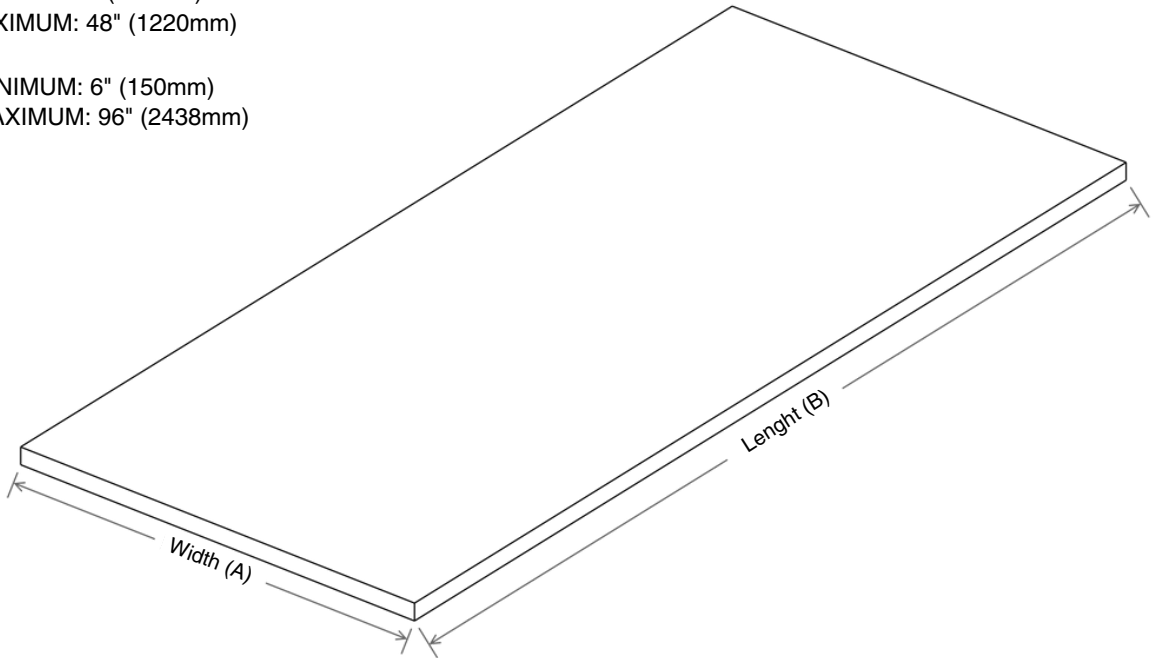
## Product breakdown



# CUSTOM FABRICATION

Width (A) MINIMUM: 4" (100mm)  
Width (A) MAXIMUM: 48" (1220mm)

Lenght (B) MINIMUM: 6" (150mm)  
Lenght (B) MAXIMUM: 96" (2438mm)

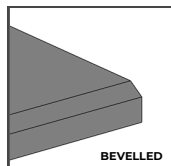
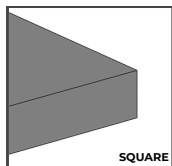


SoftTone **eco** panels can be custom fabricated within acceptable tolerances.

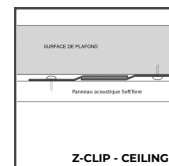
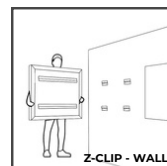
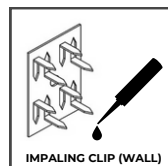


Width (A) : Maximum 48" (1220mm)  
Lenght (B) Maximum 96" (2438mm)

## EDGES



## INSTALLATION TYPES



# Performance

No matter the application, SoftTone eco panels are designed to perform.

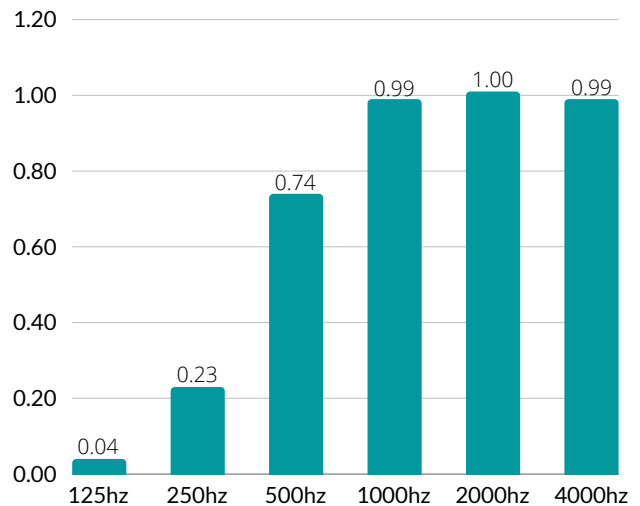
## SoftTone eco 100 series 1" / 25mm

80% average absorption @ 60db

Absorbs 100% of high frequencies  
Absorbs 85% of mid range frequencies  
Absorbs 15% of low-mid frequencies

Per ASTM C423

**NRC 0.80**



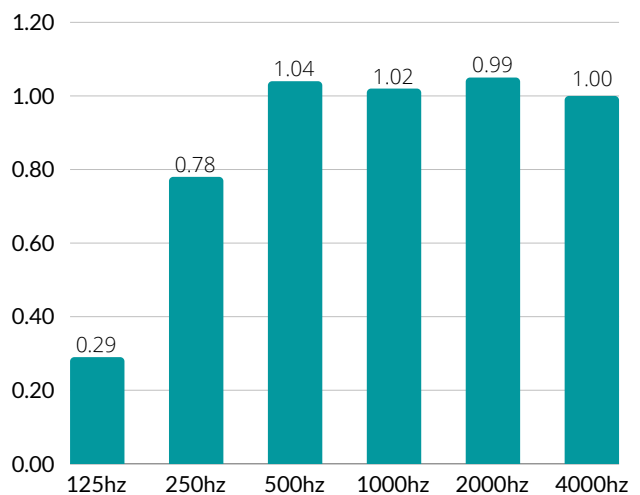
## SoftTone eco 200 series 2" / 50mm

100% average absorption @ 60db

Absorbs 100% of high frequencies  
Absorbs 100% of mid range frequencies  
Absorbs 65% of low-mid frequencies

Per ASTM C423

**NRC 1.00**



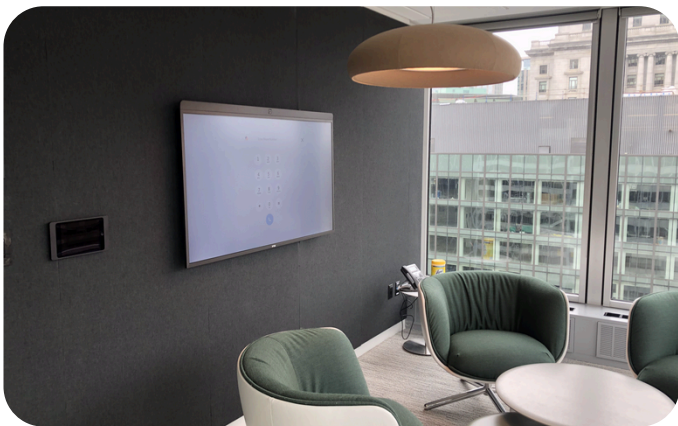


## WALL INSTALLATION

Impaling clips, Z-clips and Adhesives

### WALL TO WALL INSTALLATION

Covering the entire wall surface with cutouts for screens and switches.



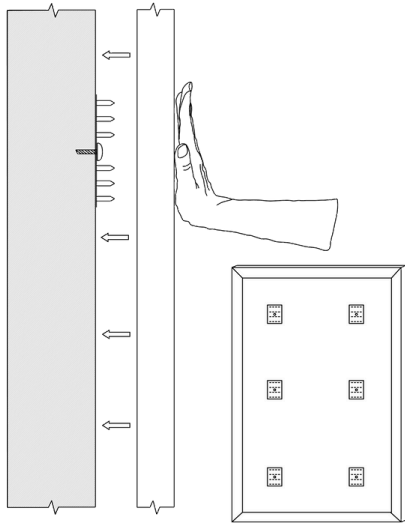
### INDIVIDUAL PANELS

installed individually, allowing for unique arrangements and concepts.

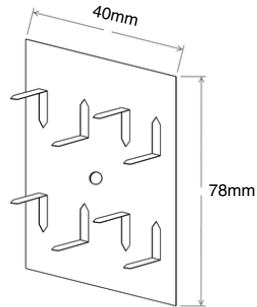


## IMPALING CLIPS

Easy press-fit installation.

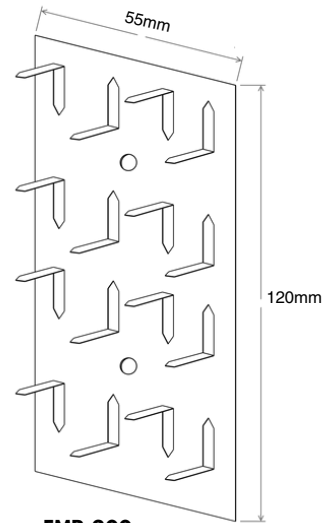


The use of construction adhesive to secure the panels is recommended



### EMP-100

8-prong impaler.  
Compatible with 1" (25mm)  
SoftTone panels.

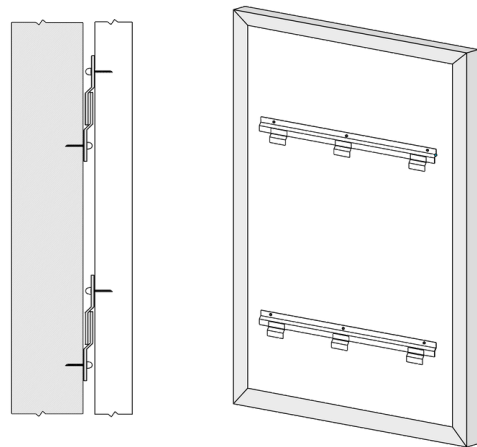
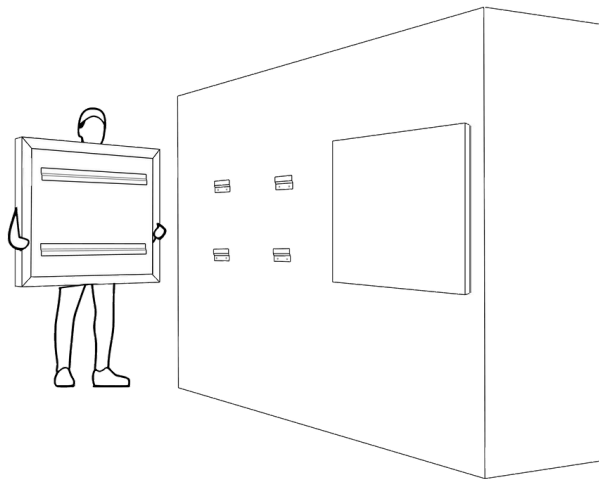


### EMP-200

16-prong impaler.  
Compatible with 2" (50mm)  
SoftTone panels

## Z-CLIPS et Z-BARS

Easy and precise individual or continuous installation

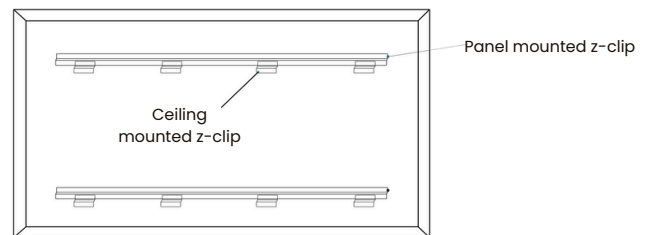
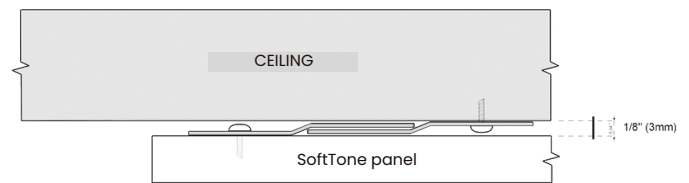
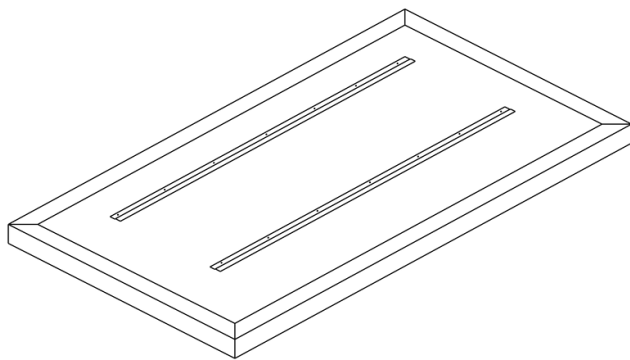




# CEILING: FLUSH-MOUNT

Ceiling z-clips

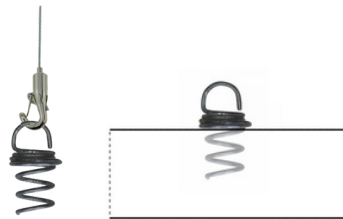
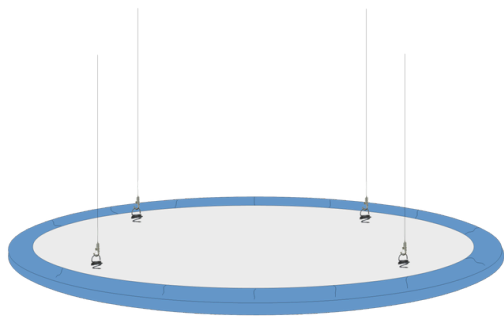
## CEILING / Z-CLIP





## CEILING: SUSPENDED

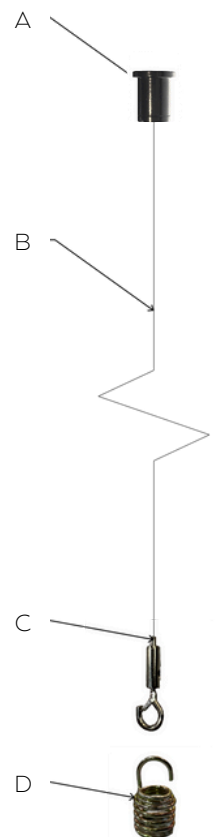
Adjustable cables



Easy to install, the rotary anchors screw into the back of SoftTone panels

### CBL-A Suspension Set:

- (A) - Concealed ceiling anchor
- (B) - 2 mm steel cable (gray)
- (C) - Sliding hook
- (D) - Rotating coil anchor



CBL-A hardware kit



---

**canacoustics**

[www.canacoustics.com](http://www.canacoustics.com)

T. 1.888.353.7599

2350 46th Avenue, Lachine, Qc, H8T 2P3